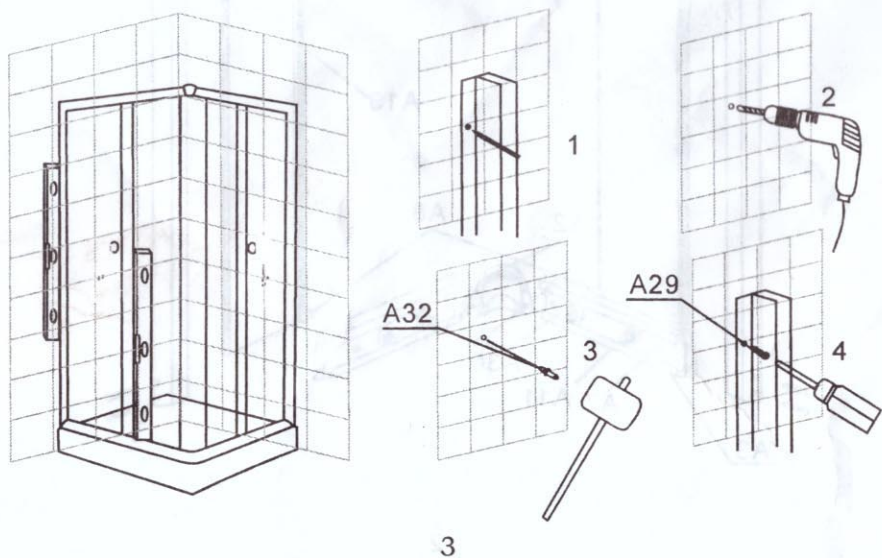
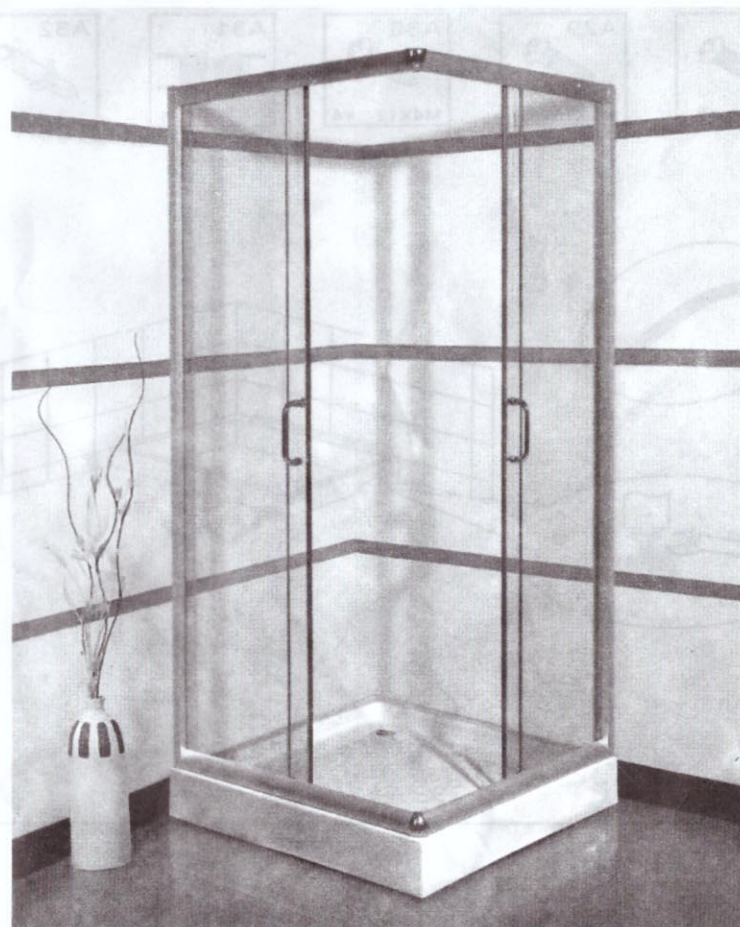
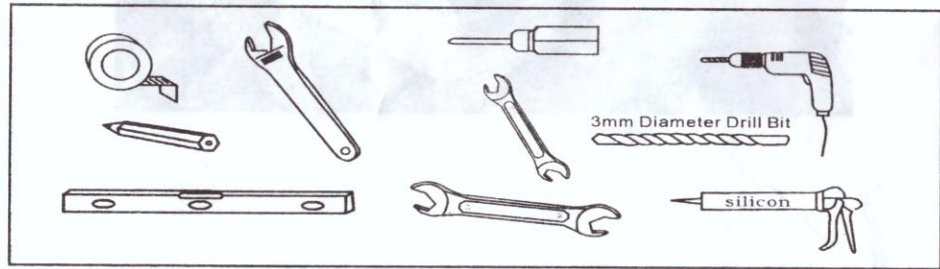
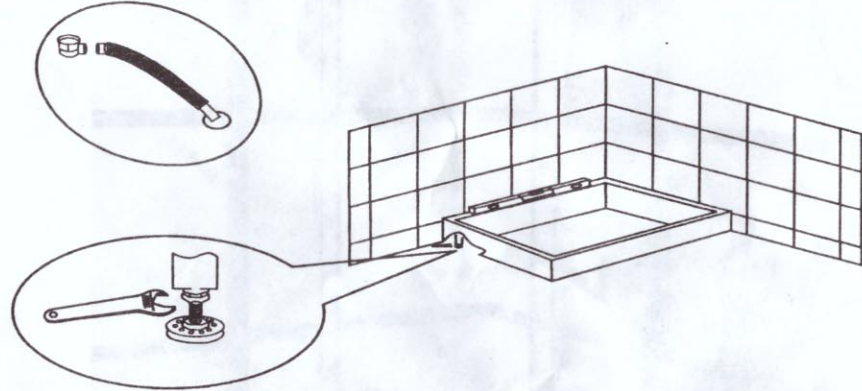
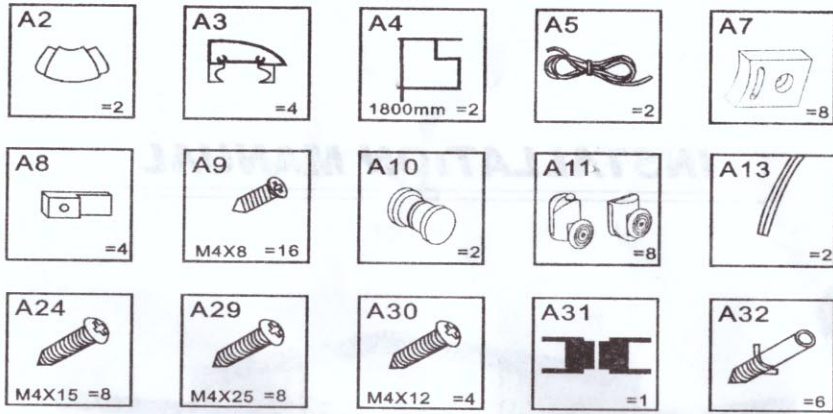


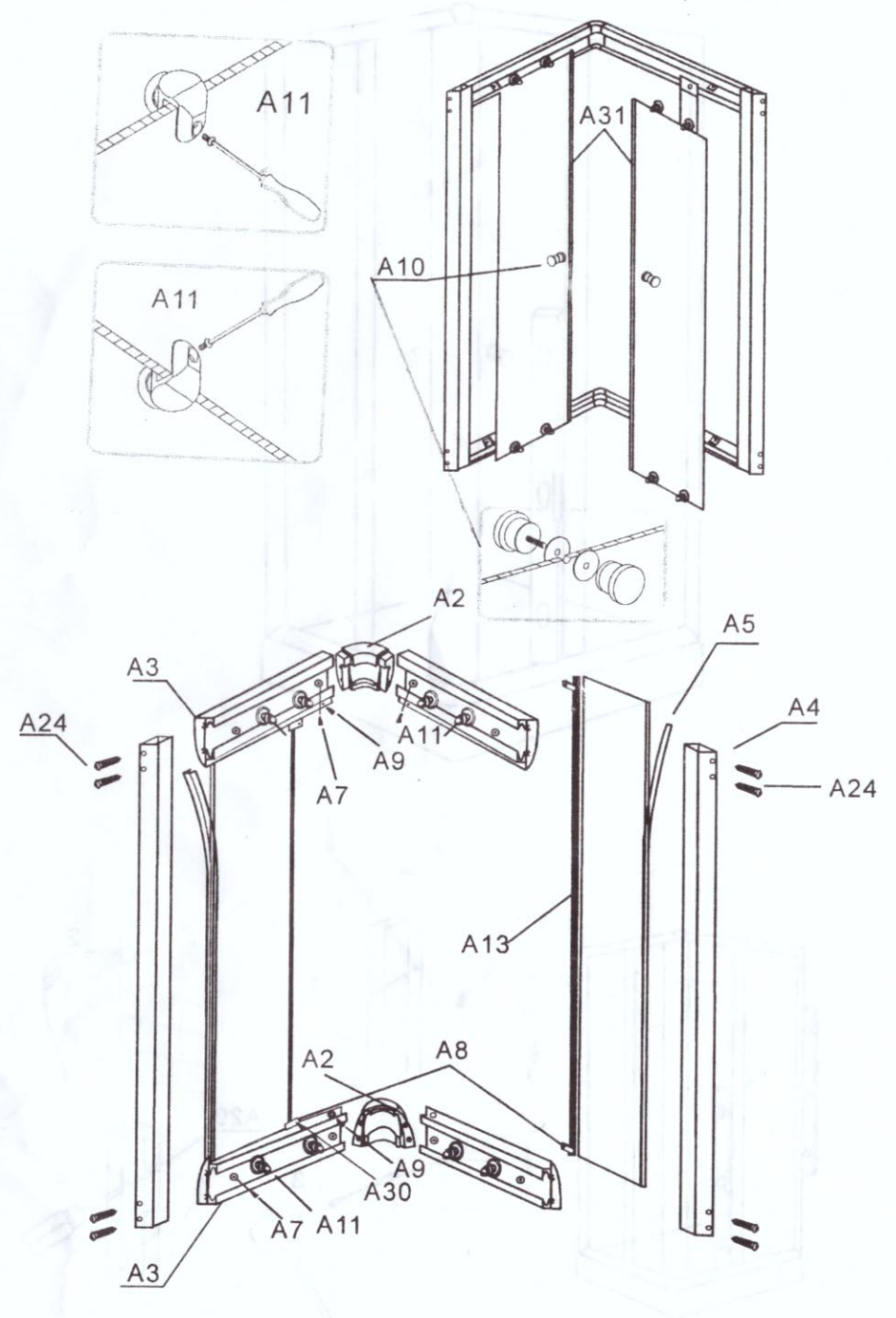
## **INSTALLATION MANUAL**

**Quarto T - 70 (80,90)**





1



2